

TRACKSTER

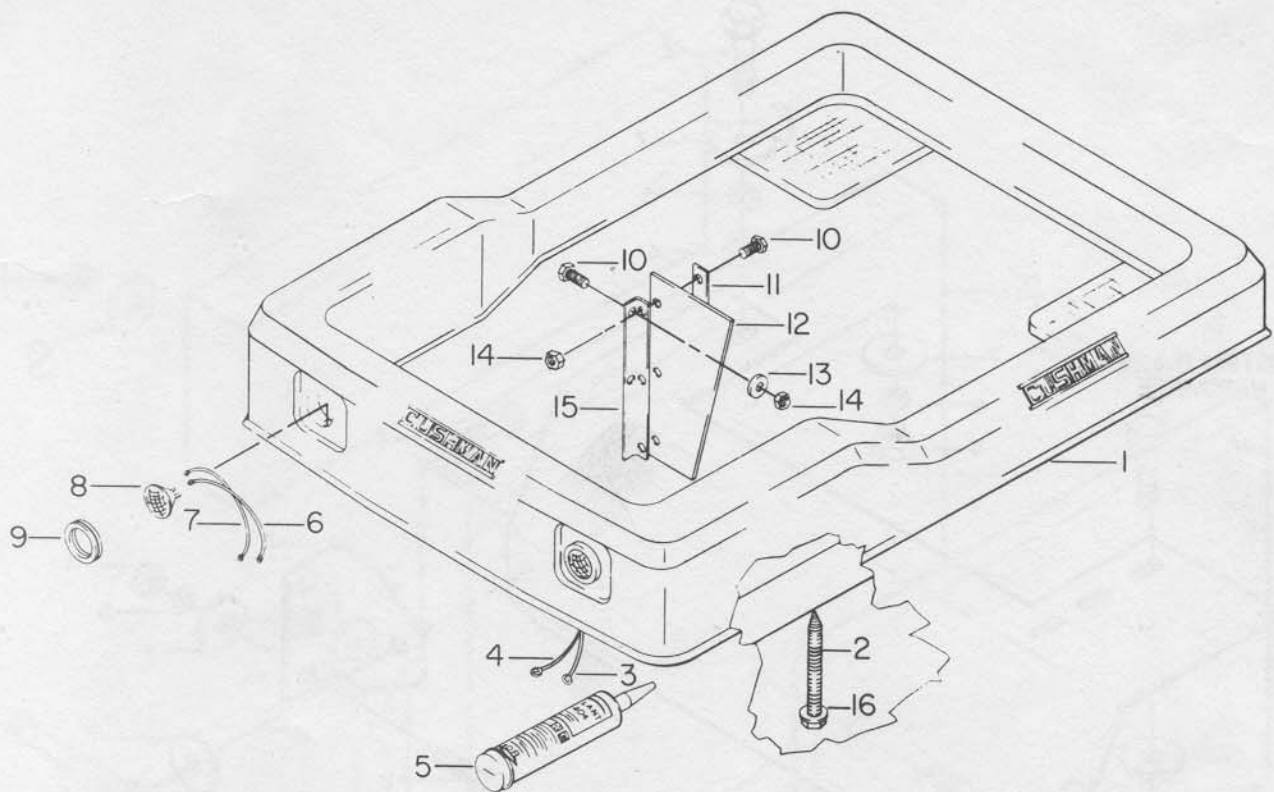
ACCESSORY PARTS BOOK

CUSHMAN MOTORS

Lincoln, Nebraska, a Division of Outboard Marine Corporation

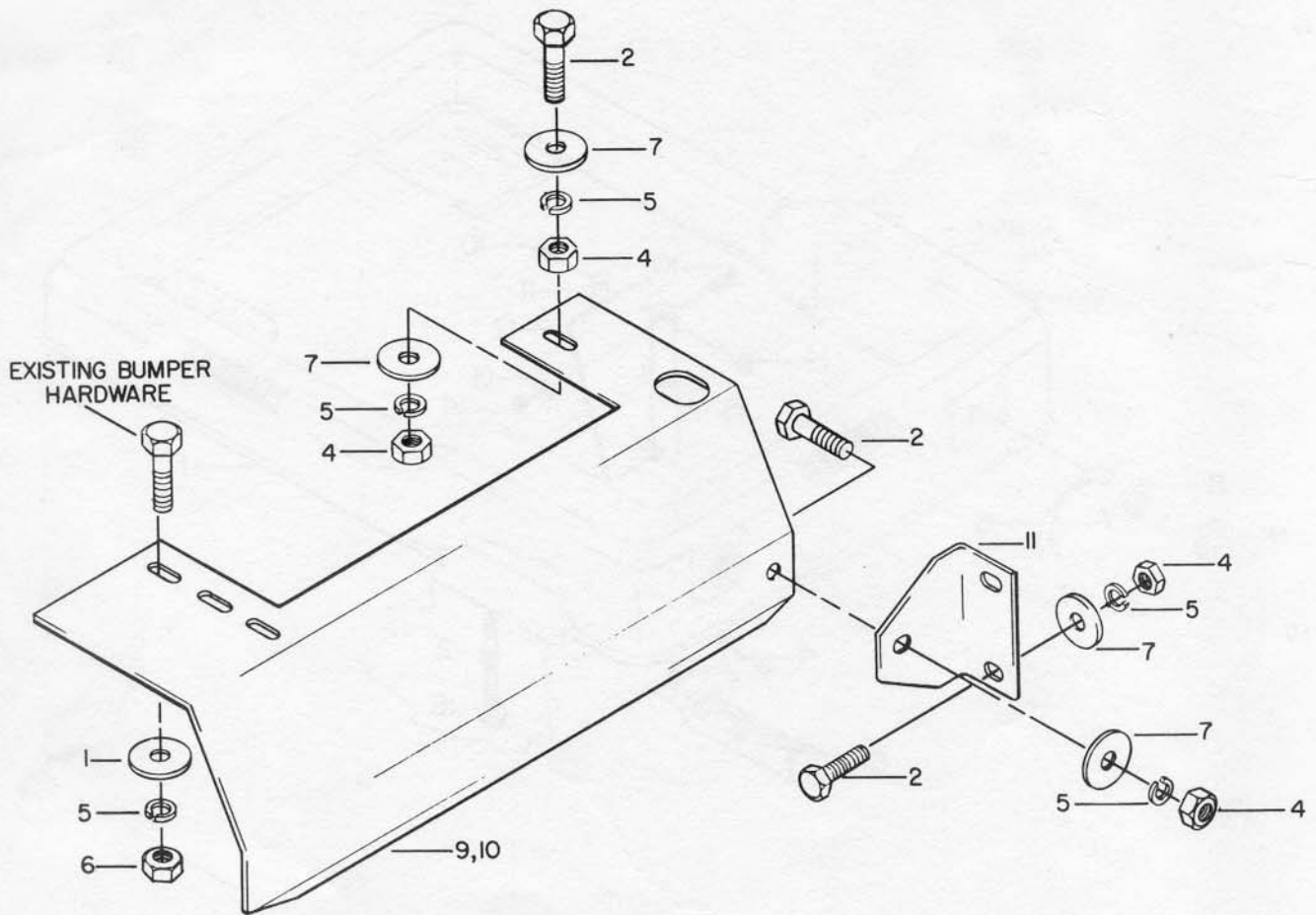
QUICK REFERENCE INDEX

<u>PART. NO.</u>	<u>DESCRIPTION</u>	<u>PAGE (S)</u>
000900 (Mod. No.)	Flotation Ring	3
882409	Winshield Set	11-12
882436	Water Propulsion Set	4
882441	Stern Bracket	5
882442	Convertible Cab Set	6-7
882443	Winshield Wiper Set	8
882450	Radio Suppression Set	9
882451	Rear Seat Cushions	10
882465	Winshield and Warmer Set	11-12
882475	Skid Plate	13
882492	Tonneau Cover	14
882526	Winch Set	15
882527	Spark Arrestor	16
882630	Side Bumper Set	17



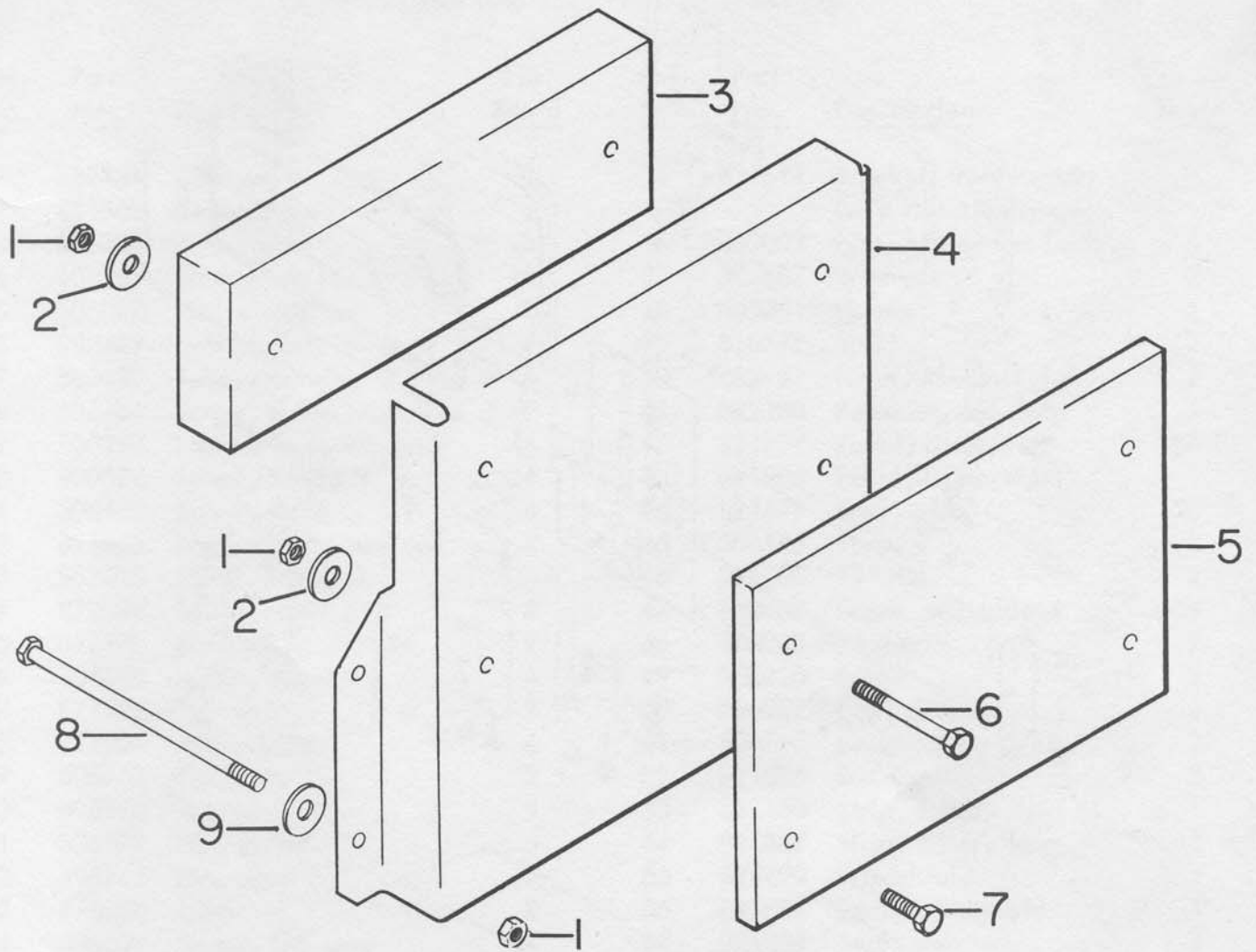
FLOTATION RING, MODIFICATION NO. 000900

<u>Ref. No.</u>	<u>Part No.</u>	<u>Description</u>	<u>No. Req'd</u>
1	821506	Flotation ring	1
2	800348	Screw, 1/4	22
3	882464	Wire, yellow	1
4	882462	Wire, yellow	1
5	822311	Weather Ban Sealant, tube	1
6	882463	Wire, green	1
7	818978	Wire, green	1
8	821891	Headlight	2
9	260389	Retaining ring, headlight	2
10	800271	Screw, #10	10
11	822017	Bar, baffle mtg	2
12	822019	Baffle	2
13	308089	Washer, plain, #10	4
14	800053	Nut, centerlock, #10	10
15	822018	Bracket, baffle mtg.	2
16	308090	Washer, 1/4	22



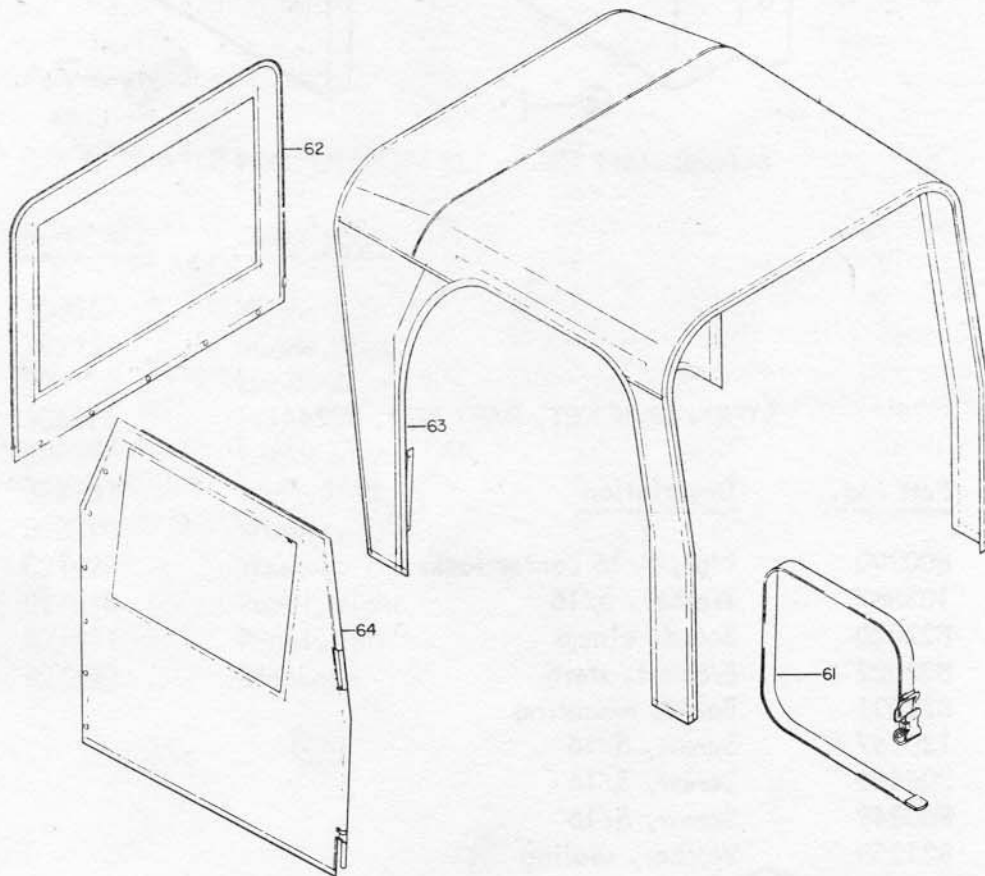
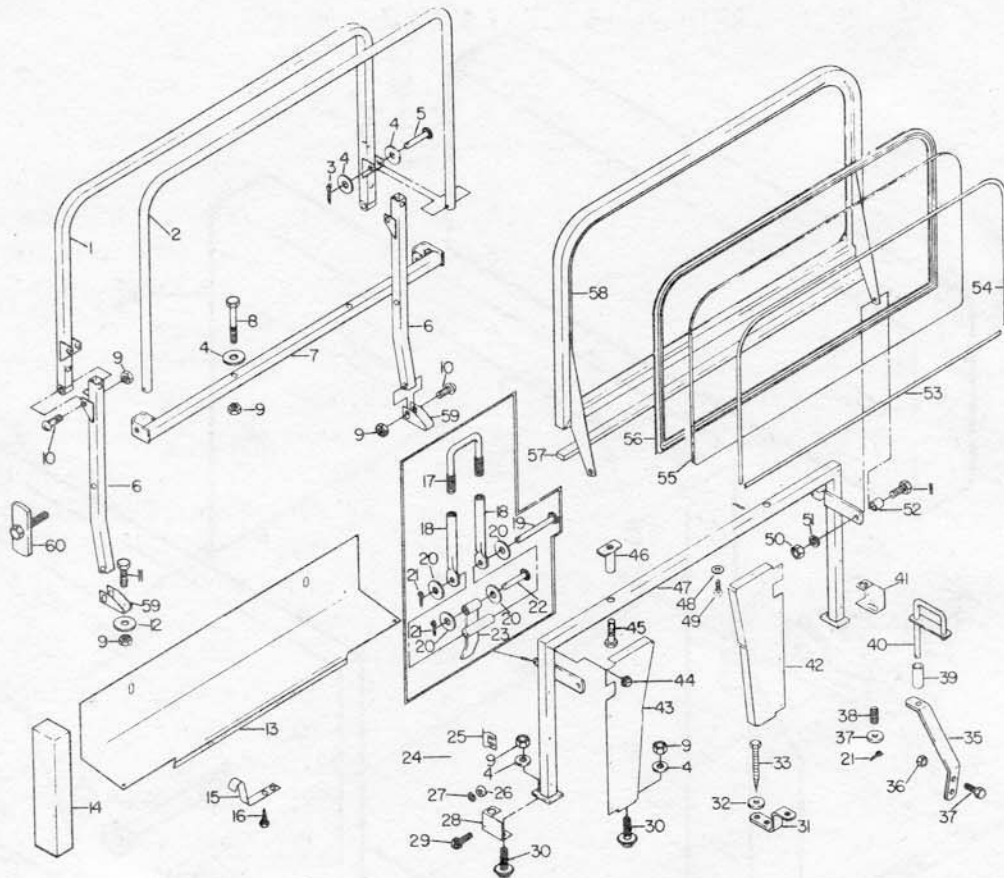
WATER PROPULSION SET, PART NO. 882436

<u>Ref. No.</u>	<u>Part No.</u>	<u>Description</u>	<u>No. Req'd</u>
1	103867	Washer, 5/16	4
2	302288	Screw, 1/4	8
3	306325	Lockwasher, 1/4	4
4	306375	Nut, 1/4	10
5	306396	Lockwasher, 1/4	10
6	306932	Nut, 5/16	4
7	308090	Washer, 1/4	10
8	821427	Washer, 1/4 sealing	2
9	821810	Panel, right	1
10	821811	Panel, left	1
11	821812	Bracket	2



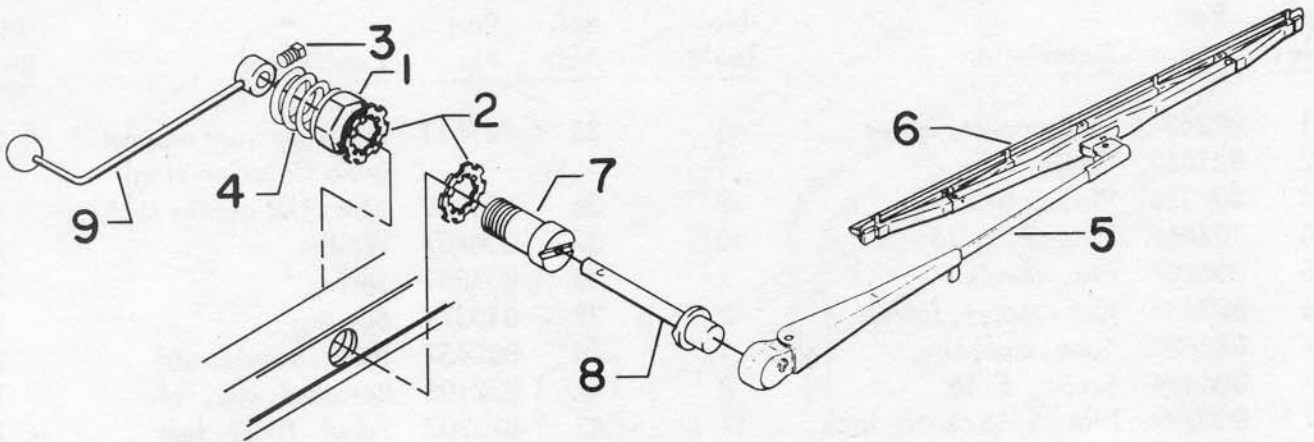
STERN BRACKET, PART NO. 882441

<u>Ref. No.</u>	<u>Part No.</u>	<u>Description</u>	<u>No. Req'd</u>
1	800290	Nut, 5/16 center lock	8
2	103867	Washer, 5/16	4
3	822020	Board, clamp	1
4	822022	Bracket, stern	1
5	822021	Board, mounting	1
6	130167	Screw, 5/16	2
7	306416	Screw, 5/16	2
8	800349	Screw, 5/16	4
9	821250	Washer, sealing	4



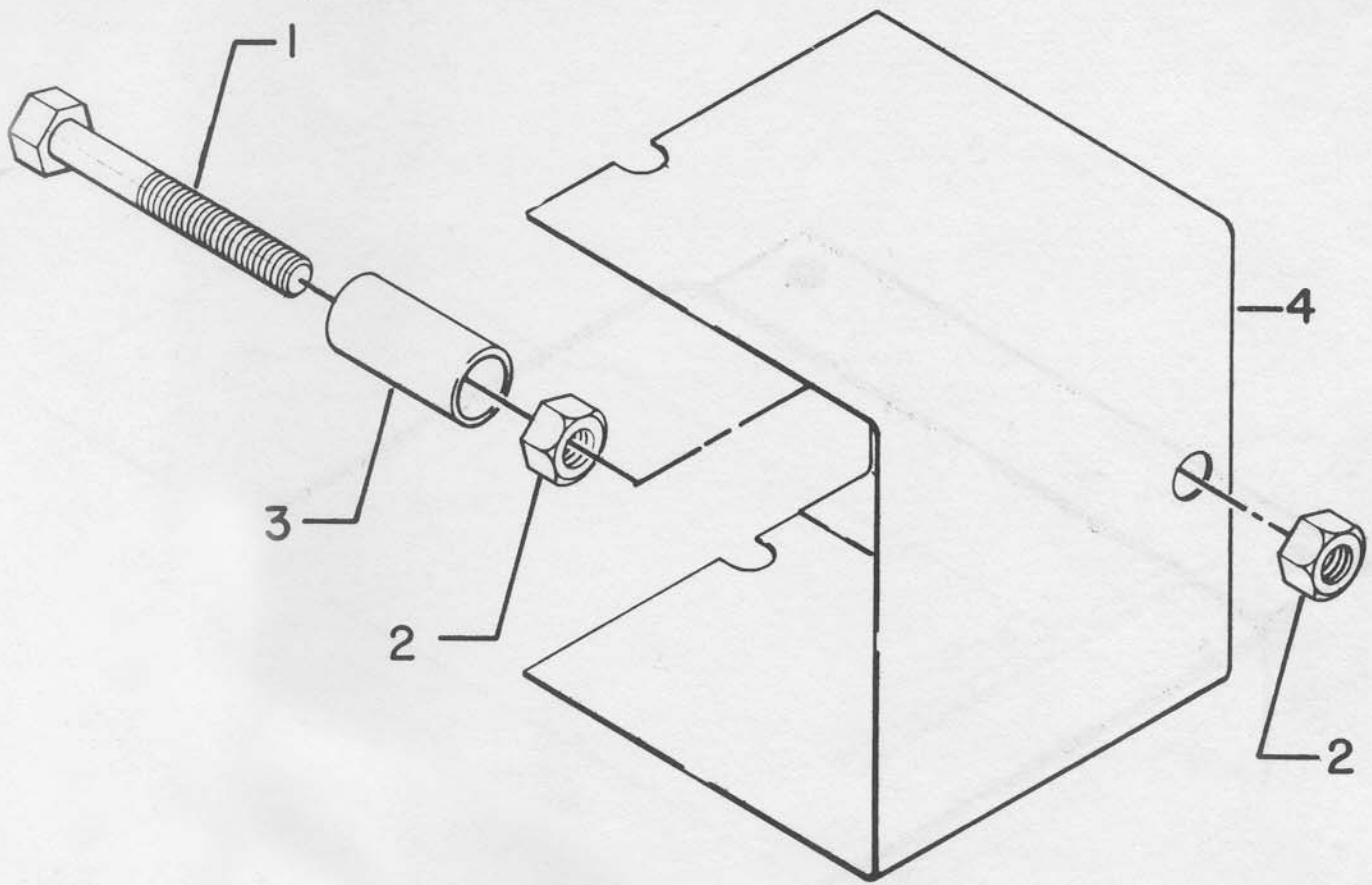
CONVERTIBLE CAB SET, PART NO. 882442

<u>Ref.</u> <u>No.</u>	<u>Part</u> <u>No.</u>	<u>Description</u>	<u>No.</u> <u>Req'd</u>	<u>Ref.</u> <u>No.</u>	<u>Part</u> <u>No.</u>	<u>Description</u>	<u>No.</u> <u>Req'd</u>
1	882431	Cab support, upper	1	35	821611	Bracket, front support (w/o flotation ring)	2
2	821863	Center tube	1				
3	306328	Pin, cotter	2	36	800059	Nut, 1/4 center lock	4
4	103867	Washer, 5/16	10	37	306407	Washer	2
5	806807	Pin, clevis	2	38	805351	Spring	2
6	882429	Cab support, lower	2	39	810379	Bushing	2
7	882430	Tube, mounting	1	40	882457	Hook, windshield	2
8	306464	Screw, 5/16	2	41	822108	Retainer, rod, left	1
9	800290	Nut, 5/16 center lock	14	42	821907	Panel, filler, left	1
10	800329	Screw, 5/16 P.T.H.	4	43	821906	Panel, filler, right	1
11	306450	Screw, 5/16	6	44	821679	Stud, snap	30
12	821250	Washer, 5/16 sealing	4	45	306416	Screw	2
13	882518	Panel, cab back	1	46	821905	"T" nut	2
14	822089	Seal, foam	2	47	882452	Frame, windshield	1
15	822106	Bracket, hold-down	2	48	308088	Washer	2
16	304488	Screw, wood	4	49	800310	Screw	2
17	821903	"U" bolt	2	50	306932	Nut, 5/16	2
18	821904	Arm, clamp	4	51	306325	Lockwasher, 5/16	2
19	806763	Pin, long	2	52	821896	Bushing	2
20	306975	Washer	4	53	822130	Strip, filler, short	1
21	306972	Pin, cotter	6	54	821887	Strip, filler, long	1
22	806765	Pin, short	4	55	821490	Windshield	1
23	876050	Latch	2	56	821886	Seal, windshield	1
24	800009	Screw, #10 sems	4	57	821884	Seal, weather	1
25	822105	Catch, door	2	58	882453	Frame, windshield	1
26	133079	Nut	4	59	821856	Pivot	2
27	120122	Lockwasher	4	60	882474	"T" screw	2
28	822107	Retainer, rod, right	1	61	813644	Strap	3
29	818376	Fastener, snap	4	62	882459	Curtain, rear	1
30	821436	Screw, 5/16 sealing	4	63	882461	Top, cab	1
31	821926	Bracket, front support (flotation ring)	2	64	882467	Door, left w/rod or	1
32	308090	Washer, 1/4	4		882468	Door, right w/rod	1
33	800348	Screw	4	*	821958	Cover, door storage	1
34	300646	Screw, 1/4	4		(* Not Illustrated)		



WINDSHIELD WIPER SET, PART NO. 882443

<u>Ref. No.</u>	<u>Part No.</u>	<u>Description</u>	<u>No. Req'd</u>
1	130541	Nut, bushing	1
2	306994	Lockwasher, bushing	2
3	800091	Screw, arm	1
4	805351	Spring	1
5	807321	Arm	1
6	812661	Blade	1
7	821912	Bushing	1
8	882458	Shaft	1
9	882489	Handle	1

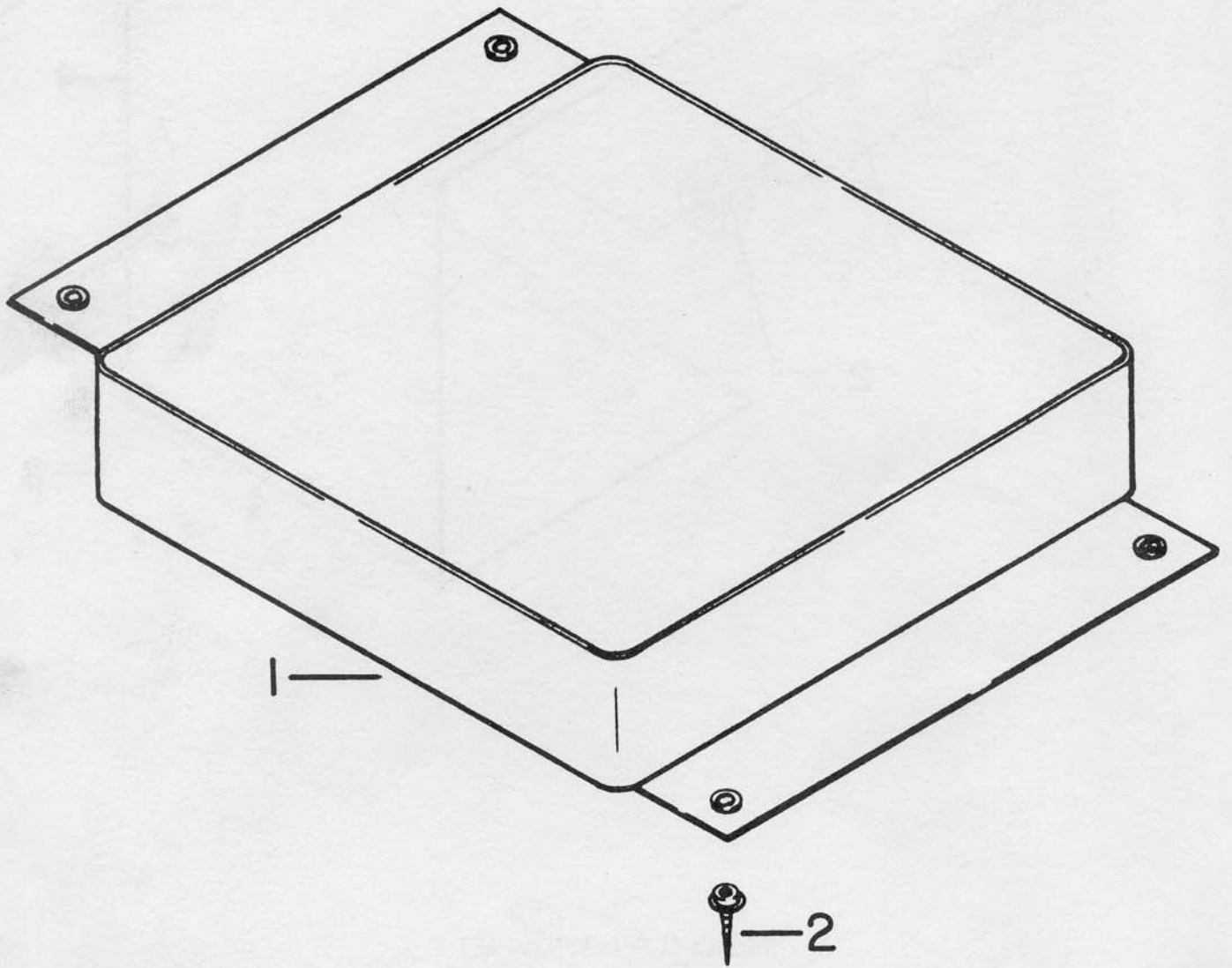


RADIO SUPPRESSION SET

PART NO. 882450

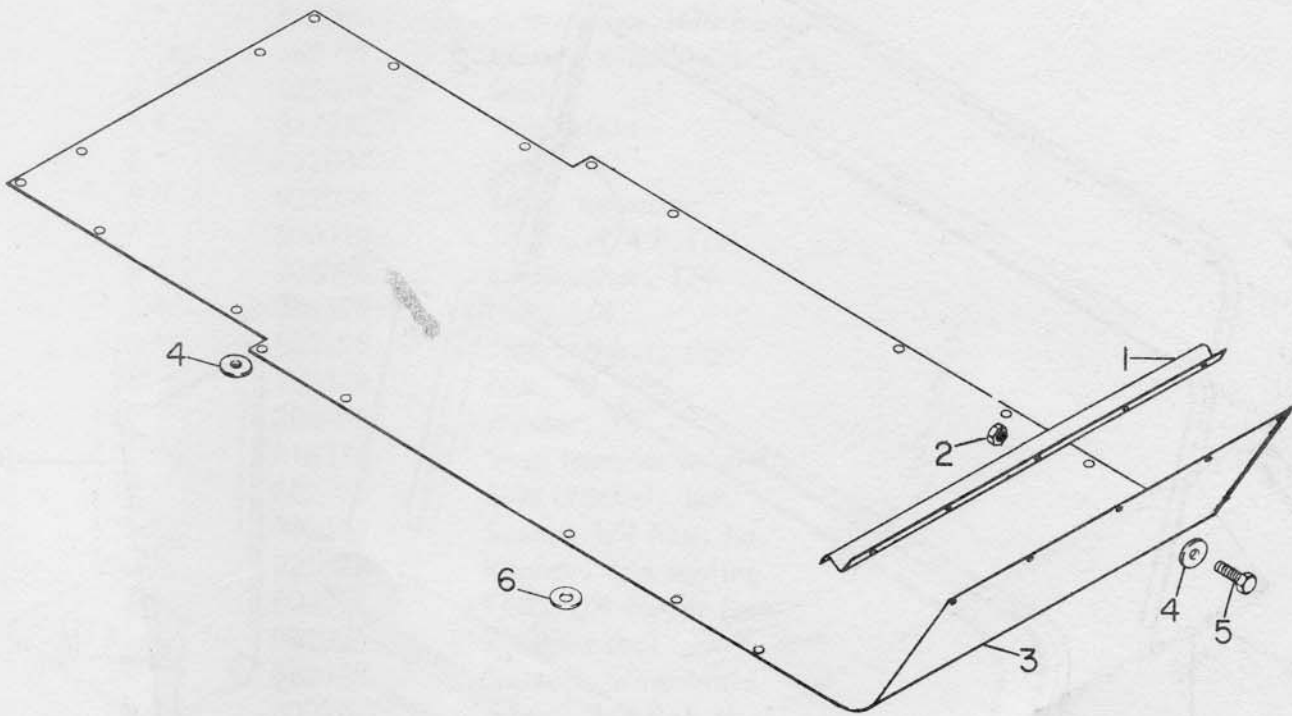
<u>Ref. No.</u>	<u>Part No.</u>	<u>Description</u>	<u>No. Req'd</u>
1	306832	Screw, 1/4	2
*	378539	Spark plug, resistance (Champion XJ-4J)	2
2	800059	Nut, 1/4 lock	4
3	809000	Bushing	2
4	882433	Box, radio suppression	2

* Not Shown



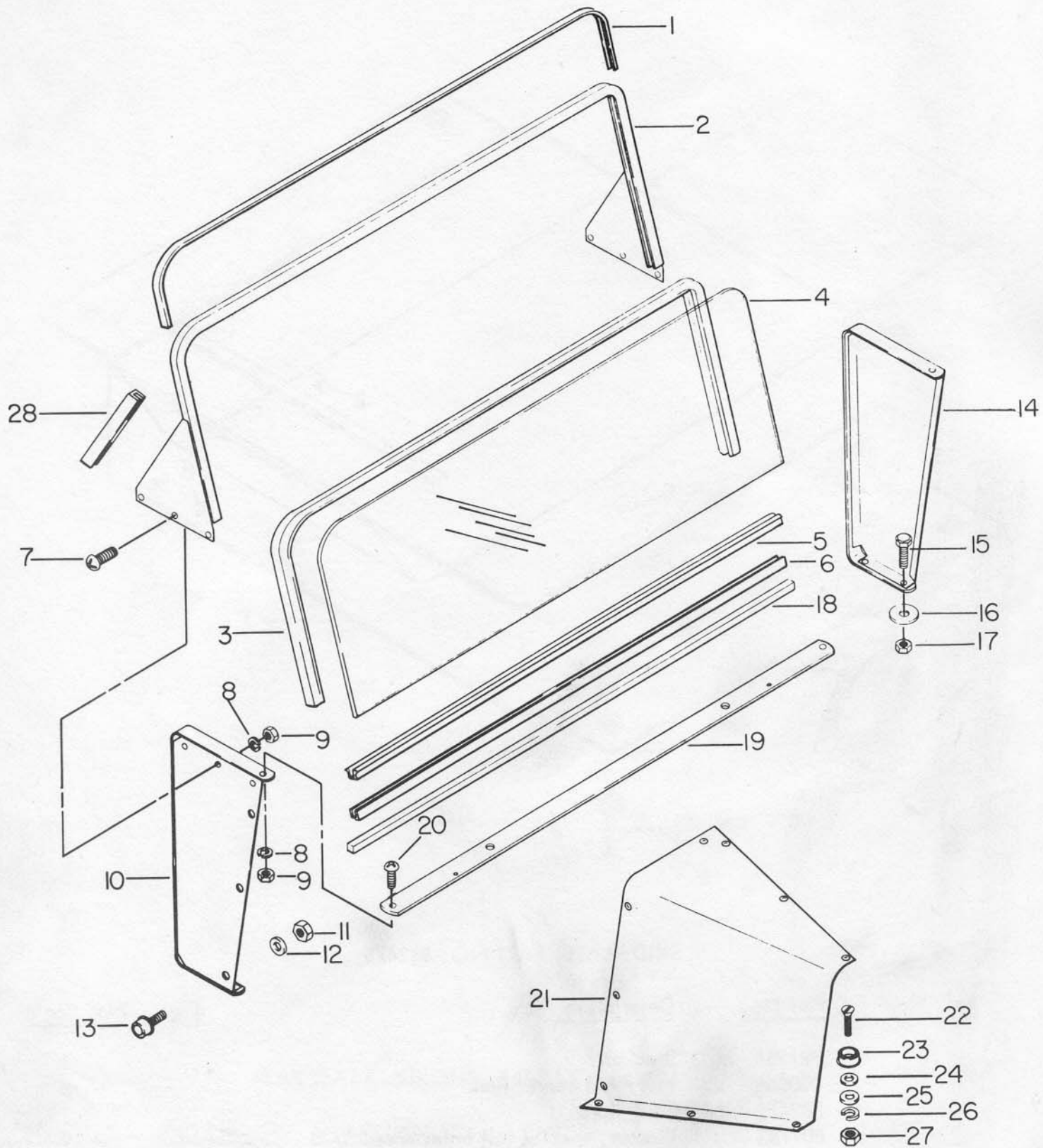
REAR SEAT CUSHIONS, PART NO. 882451

<u>Ref. No.</u>	<u>Part No.</u>	<u>Description</u>	<u>No. Req'd</u>
1	882455	Seat, rear	2
2	821679	Snap fastener	8



SKID PLATE, PART NO. 882475

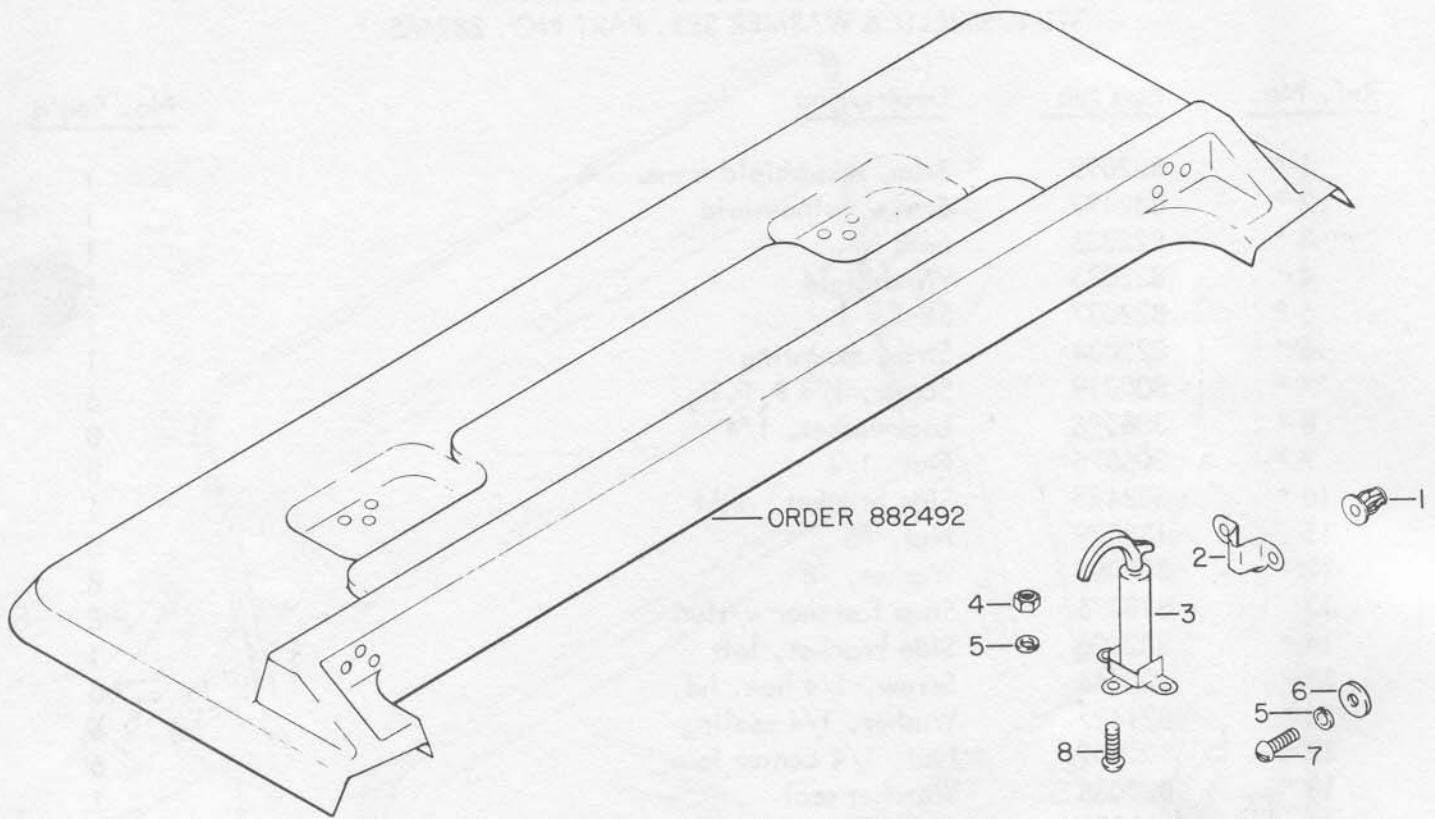
<u>Ref. No.</u>	<u>Part No.</u>	<u>Description</u>	<u>No. Req'd</u>
1	821965	Bracket	1
2	800059	Nut, 1/4 center lock	5
3	882475	Skid plate	1
4	809183	Washer, special (all holes noted "A")	9
5	300646	Screw, 1/4	5
6	103867	Washer, 5/16 (all holes noted "B")	12
	302288	Screw, 1/4 (use if needed)	4



WINDSHIELD SET, PART NO. 882409
WINDSHIELD & WARMER SET, PART NO. 882465

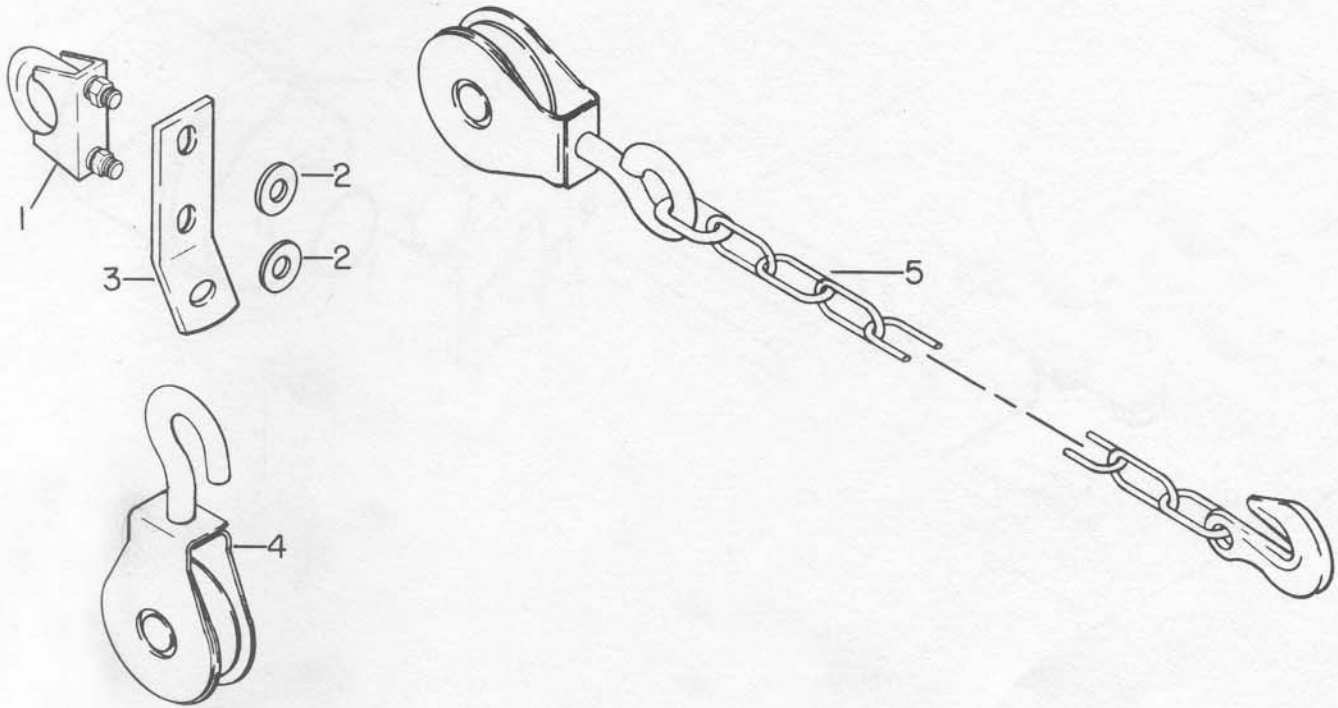
<u>Ref. No.</u>	<u>Part No.</u>	<u>Description</u>	<u>No. Req'd</u>
1 *	822098	Trim, windshield frame	1
2 *	882497	Frame, windshield	1
3 *	822036	Seal	1
4 *	822033	Windshield	1
5 *	822037	Seal	1
6 *	822034	Strip, mounting	1
7 *	800019	Screw, 1/4 P.T.H.	6
8 *	306396	Lockwasher, 1/4	8
9 *	306375	Nut, 1/4	8
10 *	882495	Side bracket, right	1
11	133079	Nut, #8	8
12	308088	Washer, #8	8
13	818376	Snap fastener w/stud	8
14 *	882496	Side bracket, left	1
15 *	300646	Screw, 1/4 hex. hd.	6
16 *	821427	Washer, 1/4 sealing	6
17 *	800059	Nut, 1/4 center lock	6
18 *	822038	Weather seal	1
19 *	822035	Support, windshield	1
20 *	800277	Screw, 1/4 P.T.H.	2
21	882505	Cover, left	1
		or	
	882506	Cover, right (illustrated)	1
22	316995	Screw, #6 flat head	14
23	809381	Snap	14
24	821068	Grommet, seal (through body only)	6
25	308087	Washer, #6	14
26	306506	Lockwasher, #6	14
27	302437	Nut, #6	14
28	822073	Trim, left	1
		or	
	822074	Trim, right	1

(* Windshield Set Only)



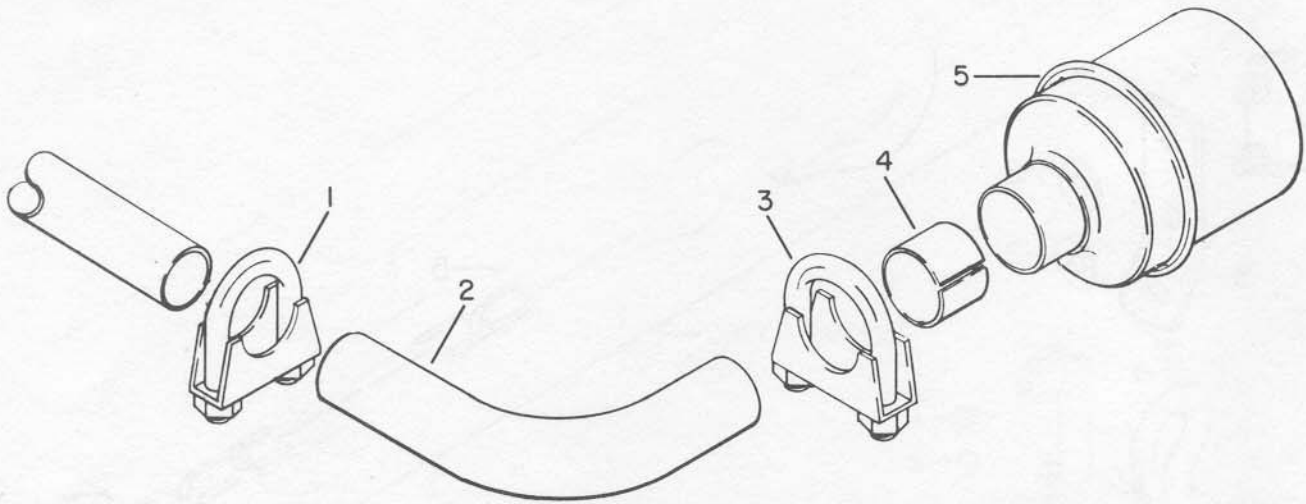
TONNEAU COVER, PART NO. 882492

<u>Ref. No.</u>	<u>Part No.</u>	<u>Description</u>	<u>No. Req'd</u>
1	816431	Jacknut	8
2	821232	Catch	4
3	821233	Latch	4
4	306531	Nut, #10	12
5	120052	Lockwasher, #10	20
6	308089	Washer, #10	8
7	800299	Screw, #10 x 1	8
8	800271	Screw, #10 x 1/2	12



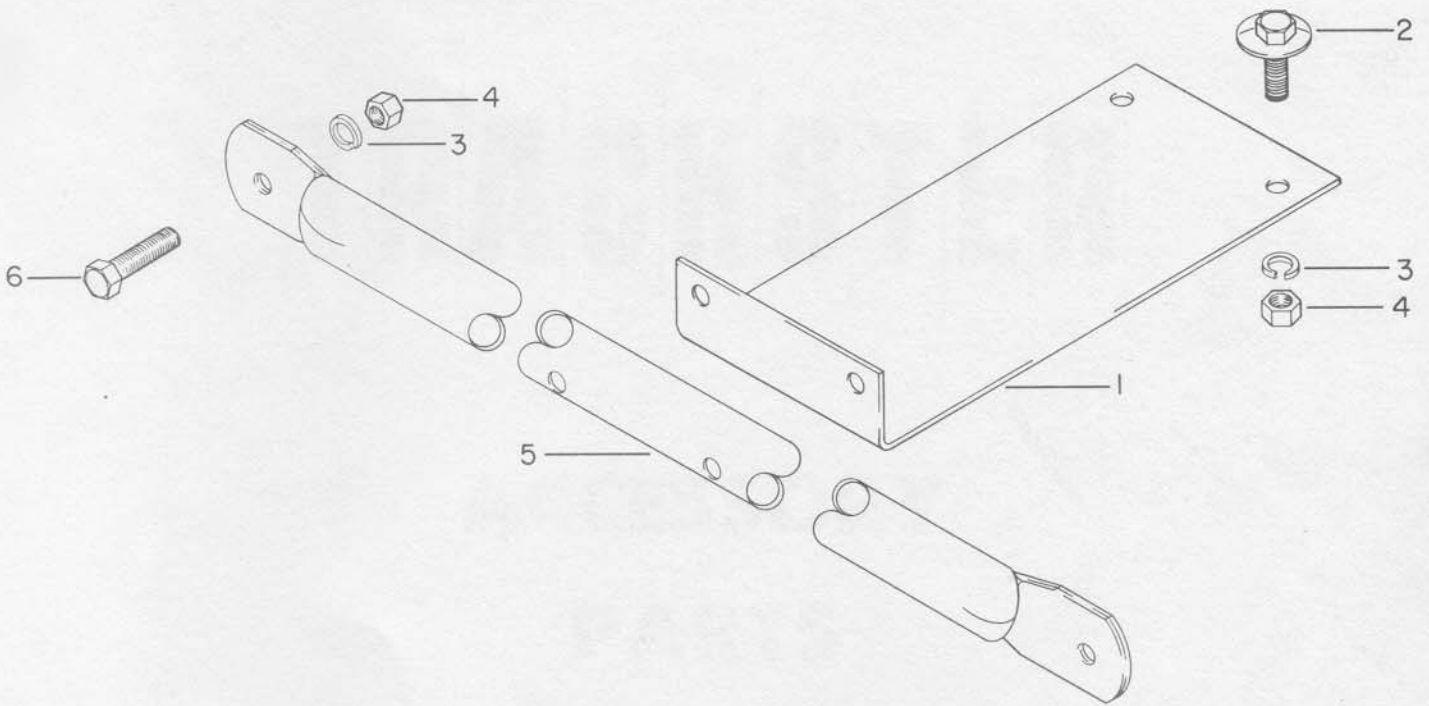
WINCH SET, PART NO. 882526

<u>Ref. No.</u>	<u>Part No.</u>	<u>Description</u>	<u>No. Req'd</u>
1	813688	Clamp (w/nuts)	2
2	103867	Washer	4
3	821835	Bracket	2
4	821867	Pulley	1
5	882428	Pulley and chain	1



SPARK ARRESTOR, PART NO. 882527

<u>Ref. No.</u>	<u>Part No.</u>	<u>Description</u>	<u>No. Req'd</u>
1	813688	Clamp, 1 1/8"	2
2	813700	Angle tube	2
3	818962	Clamp, 1 1/4"	2
4	822141	Adapter	2
5	822139	Spark arrestor	2



SIDE BUMPER SET, PART NO. 882630

<u>Ref. No.</u>	<u>Part No.</u>	<u>Description</u>	<u>No. Req'd</u>
1	822342	Bracket, bumper	2
2	821436	Bolt, sealing bracket mounting	4
3	306325	Lockwasher, 5/16	12
4	306932	Nut, 5/16	12
5	822356	Side bumper	2
6	306423	Screw, 5/16	8